

Measuring Guide for a Panel Glide

Please Note: These instructions should be read thoroughly before installing.

This is a guide to assist in the measuring of external awnings. Betta Blinds and Awnings does not guarantee the accuracy of the information contained in this guide. We recommend an experienced expert measurer/installer to rely upon their own skills. This is based on general knowledge concerning which is known to us at the time of printing this guide, consequently, is subject to change and Betta Blinds and Awnings specifically reserves the right to change this guide without notification.

- Use a good quality tape measure (metal ones are best) and measure down to the nearest mm.
- It is essential the measurements provided are accurate for the blinds to fit correctly (do not be surprised if your windows are not perfectly square)
- Measure all windows even if they appear to be the same size.
- Always indicate the WIDTH measurement first, then the DROP last. (e.g., 2100mm x 1800mm)
- Please take extra time to measure all the windows accurately, a helpful rule is "measure once, measure twice and measure again to be sure!"
- Take all your measurements in millimetres (mm).
- For larger blinds refer to the Betta Blinds pricing guide sizes to ensure the blind can be manufactured successfully and are covered by any appropriate warranties.
- Blinds made outside of Betta Blinds recommendations are not covered under warranty.

Fitting Recommendations:

These are the best options: Installing into the reveal (Reveal Fit), Installing into the architrave (Face Fit) and outside or above the architrave into the wall studs (Face Fit).

You must be certain that the weight bearing capacity of the wall, ceiling or framework is sufficiently strong enough to bear the weight of the blinds to be installed. For example, plasterboard/gyprock may not be strong enough to hold dual / linked or motorised blinds. NB: Sunscreen fabrics weigh more than other fabrics.

There are a lot of variables when fixing to plasterboard such as the thickness of the plasterboard, how well braced it is (how far the studs are spaced), how close the fixings are together and how far away from the wall is the weight of the item. If installing into a hollow plasterboard cavity, then hollow plasterboard anchors could be used. Fitters would need to determine the number required to safely secure the blind brackets. It would be difficult to safely secure heavy blinds into a hollow plasterboard wall, only using plasterboard anchors. Consider variables which will contribute to the weight, such as blinds with a long drop size, heavy sunscreen fabrics, as well as the additional weight of motors and mode style battens (in the case of roman blinds).

When measuring for blinds, please discuss with your client the pros and cons of reveal fit and face fit. If there are concerns about the light gap between the blind and the frame, then face fit is recommended.

First Decision

The first decision that needs to be made before you measure your windows is whether you want to install the blind on the Face Fit/Outside Mount or Reveal/Inside Mount of the window frame. The most common fit for a Panel Glide is Face Fit. You can use Reveal Fit in some circumstances, but your reveal may not have enough depth for the track to sit in. We put together the pros and cons of both installation styles to help you decide.

Important Note: This is an essential safety precaution. We recommend that during the process of measuring you must also consider the consequences of any obstacles when it comes to the installation process. Always take note of any obstructions to the blind's operation, such as door & window handles, window mullions or storm bars. If obstacles are in the way you may need to measure and fit the blind differently.

Face Fit (Outside Fit): Panel Glide

If your window is not deep enough for a Reveal Fit (inside mount), your other option is to install the blind outside the window. Here are reasons to consider a Face Fit (outside mount)

Pro

- It's more forgiving and flexible with measurements
- Makes a window appear larger
- An excellent option
- Can be easier to operate

Con:

- A disadvantage of choosing a Face Fit is it conceals the window architrave. If you live in an older home, you may not want to hide the architectural details behind a window treatment.
- May let my light in at the ends due to how far the blind sits out from the window.

Reveal Fit (Inside Fit): Panel Glide

If you'd like to install a blind inside the window frame, you first need to make sure the window has enough depth to install the blind you are ordering. Here are a few reasons to consider an inside mount:

Pro:

- Creates a clean, elegant look
- Highlights the architrave.
- Suitable for windows that do not have much wall space around them

Con:

- A disadvantage of a reveal inside mount is that it requires precise measurements to make sure the blind properly fits in the window. Also, if the window Reveal lacks depth for an inside fit, the blind will possibly project from the window.
- The blind may interfere with the opening and closing of a window or door
- Can be a little harder to operate as you are reaching to the side to open and close the panels
- Track may not fit in the reveal

Measuring for a Face Fit (Outside Fit) Panel Glide

- Measure the width at the top of your opening and where you will be fitting the blind. It is recommended that the blind is measured from architrave to architrave plus or if you have square set windows 50mm - 100mm either side (this helps to provide better coverage & more privacy) (this helps to provide better fabric coverage & more privacy). In the example below it is measured 100mm either side of the opening/architrave. Take 3 measurements, top, middle, and bottom as posts maybe out of square. Beta Blinds & Awnings recommends taking 3 measurements. You may need to use the smallest measurement in some circumstances.

**It is important that you take your main width measurement from the top of the window/opening as this is where your track will be fitted.*

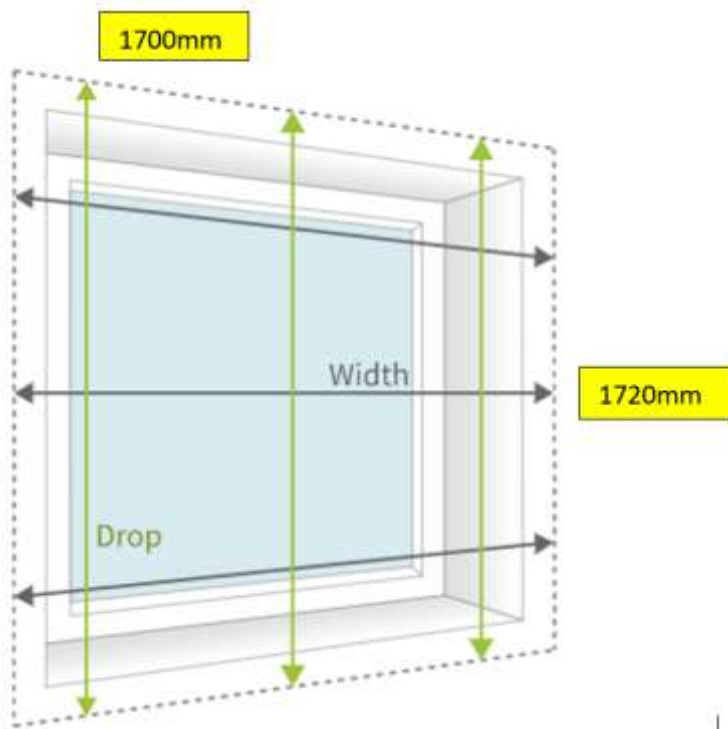
Tip 1 - If you are measuring architrave to architrave for a panel glide, we recommend adding 100mm either side to the width for better coverage if possible.

Tip 2 – If you have enough wall space beside your opening, allow for an extra panel which will be on the wall. This allows for the Panel Glide to be stacked back onto the wall, so you don't lose any view.

- Measure the drop of the blind from the inside of the of where the blind is being fitted to where you want the blind to finish as per photo below. Take 3 measurements, left, middle, and right. Beta Blinds & Awnings recommends taking 3 measurements. You may need to use the smallest measurement in some circumstances.
- Divide the width of track by the number of panels you want, this will give you the panel width, see *calculations below*

**Panel size should be approx. 600mm, but no less then 450mm*

NOTE: This is just a guide only, you can measure higher up if possible or lower if required.



- **Example Above: Opening Width** is 1500mm +100mm + 100mm = 1700mm
Opening Drop is 1720mm (measured from the top of the architrave to where you want the blind to finish)

Track Size 1700mm **Panel size** (1700 / 3) = 566mm (panel width) x 1720mm (panel drop)

Open Size: Please supply tight measurements and we will do the deductions.

Make Size: No deductions are made if you order Make Size

NOTE: If a new build please allow for any carpet or tiles that may be laid at a later date.

Measuring for a Reveal Fit (Inside Fit) Panel Glide

- Measure the width at the top of your opening and where you will be fitting the blind. Measure the width from inside of the window to inside the window as per photo below, as this is where the blind is being installed it is one of the most vital measurements. Take 3 measurements, top, middle, and bottom as the window maybe out of square. Betta Blinds & Awnings recommends taking 3 measurements. You may need to use the smallest measurement in some circumstances.

**It is important that you take your main width measurement from the top of the window/opening as this is where your track will be fitted.*

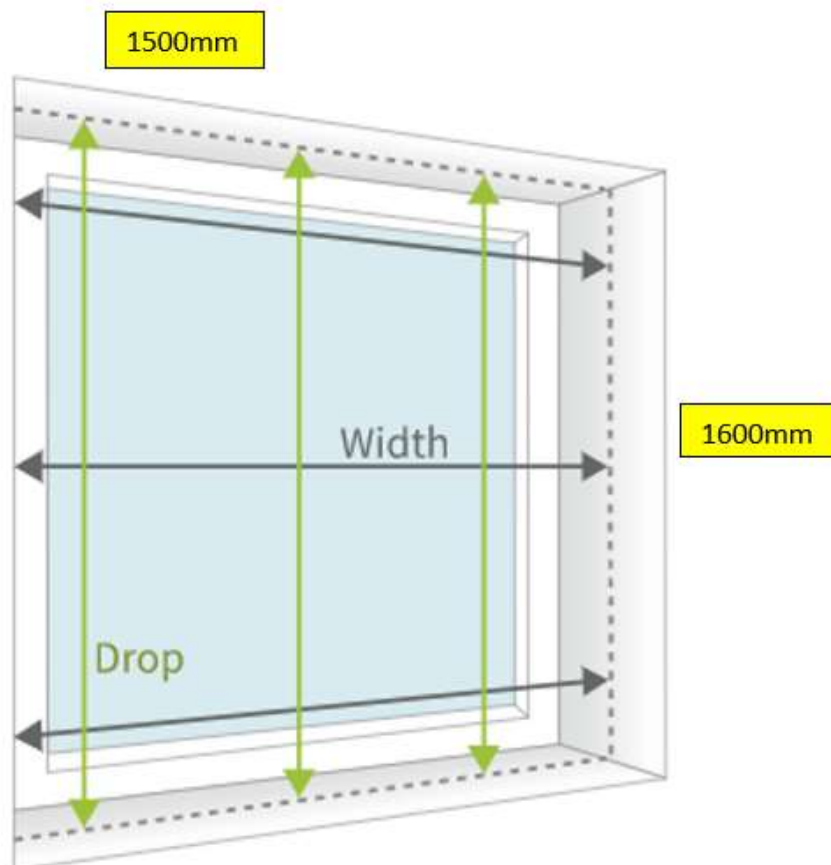
NOTE: Check the depth of your reveal, you need a minimum reveal depth of between 55mm-95mm depending on number of tracks you are ordering. (Please use the recess fit depth requirement as a guide to how much space is needed for the blind to clear any window door handles or other obstructions.)

Track depth sizes:

3 Track = 55mm, 4 Track = 75mm & 5 Track – 95mm

- Measure the drop of the awning from the inside of the of where the blind is being fitted to where you want the blind to finish as per photo below. Take 3 measurements, left, middle, and right. Betta Blinds & Awnings recommends taking 3 measurements. You may need to use the smallest measurement in some circumstances.
- Divide the width of track by the number of panels you want, this will give you the panel width.

**Panel size should be approx. 600mm, but no less then 450mm*



Example Above: Opening Width is 1500mm

Opening Drop is 1600mm

Track Size 1500mm **Panel size** $(1500 / 3) = 500\text{mm}$ (panel width) x 1600mm (panel drop)

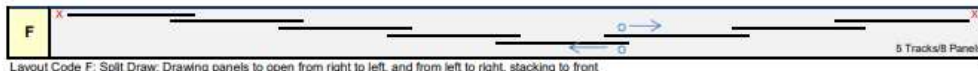
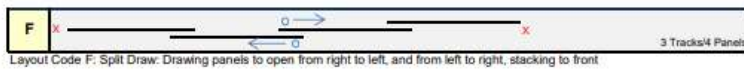
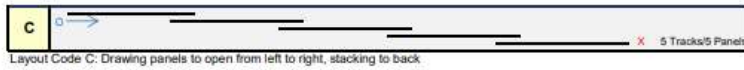
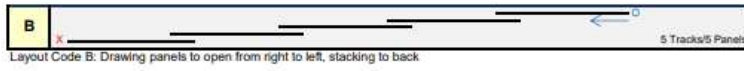
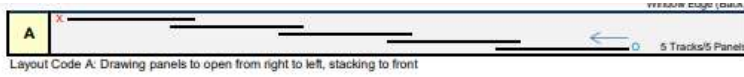
Open Size: Please supply tight measurements and we will do the deductions.

Make Size: No deductions are made if you order Make Size

LAYOUT CODES

Below are the layout codes for how you want your panels to stack. For example, **code A** is stacking right to left, with the panels stacking behind each other. You will need to supply this code when ordering.

Tip: Have your panels stacking the same way as your door / window.



Diagrams indicate panels when blinds are in the closed position (panels covering windows)

o = Wand/s position This indicates where the wand control is on the diagram. Please note that the wand is located behind the panel (hidden from view).

x = Lock position - panels slide back to this position when opening blinds

A, B, C & D available in 3 to 7 tracks with 1 wand

E, F, G & H have 2 wands

Minimum Panels: 2 Panels

Maximum Panels: Split Draw: 13

Maximum Panels: One Way Draw: 7

Open Size

When ordering 'Open Size' - deductions will be taken off your measurements

Make Size

When ordering 'Make Size' - No deductions will be taken off your measurements

PELMETS

When ordering pelmets, order the blind and we will make the pelmet to suit, see pelmet return size and pelmet size below

Pelmet Sizes

Face & Semi Reveal Fit: Pelmet Width is the Blind Size + 20mm

Reveal Fit: Pelmet Width is the Blind Size – 2mm

Pelmet Return Sizes

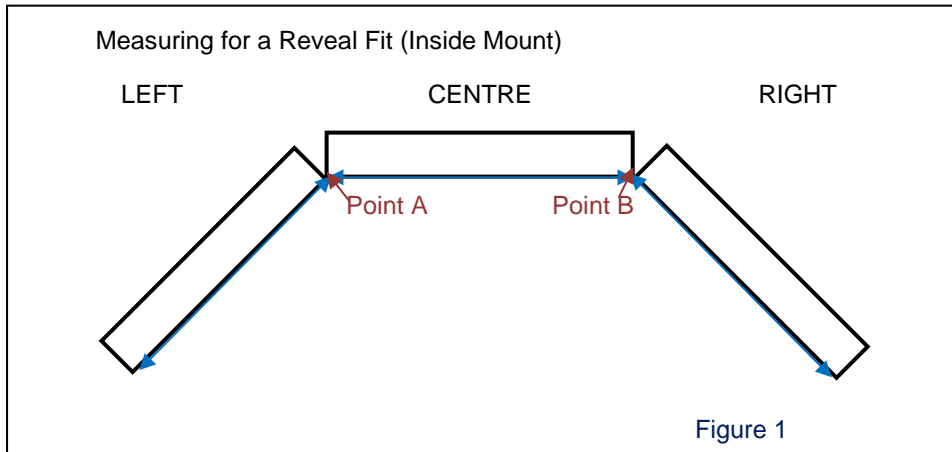
| Panel Glide | Face Fit - 3 Track | Face Fit - 4 Track | Face Fit - 5 Track | Face Fit - 6 Track | Face Fit - 7 Track | Semi Reveal Fit |
|-------------------|--------------------|--------------------|--------------------|--------------------|--------------------|----------------------------------|
| Fabric 90mm | 125mm | 145mm | 165mm | 185mm | 205mm | Size to be specified by customer |
| Fabric 140mm | 125mm | 145mm | 165mm | 185mm | 205mm | |
| Linea | 125mm | 145mm | 165mm | 185mm | 205mm | |
| Woodlook 90 x 8mm | 125mm | 145mm | 165mm | 185mm | 205mm | |

MEASURING GUIDE FOR BAY WINDOWS

Please Note - All Measurements should be taken at the front of the Reveal.

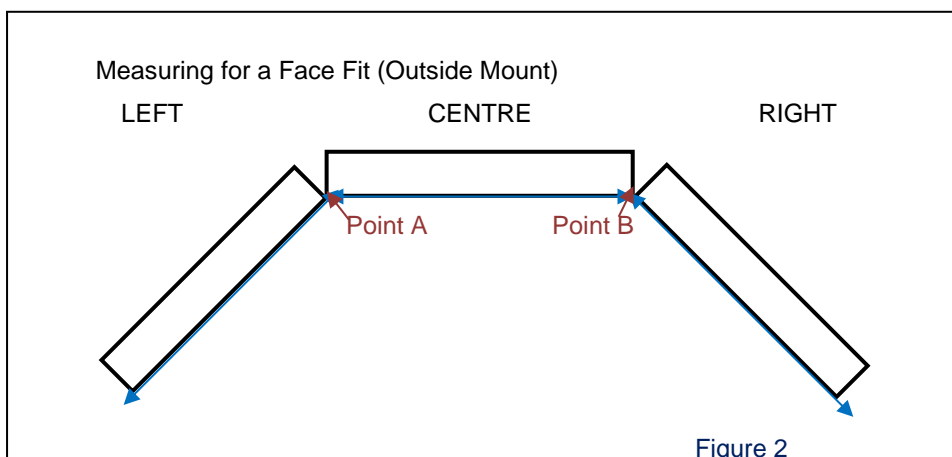
Your Bay Window may appear difficult to measure at first. If you follow our easy to read, step by step guide below, you will be surprised how easy it actually is. If you are unsure whether to measure your Bay Windows as an inside or outside mount, please email a photo of your Bay Window and we will be able to advise you appropriately.

Note: there will be a light gap of approximately 50mm at **Point A** and **Point B** (where the blinds meet)



1. Measuring the left blind - measure at the top of your window where the blind will sit, measuring from the left side and measure the distance into the corner where the left blind will meet the centre blind or **Point A** in **Figure 1** above. Now measure your drop.
2. Measuring the centre blind - measure the distance of the centre blind from **Point A** to **Point B** in **Figure 1**. Now measure your drop.
3. Measuring the right blind - measure at the top of your window where the blind will sit, measuring from the right side into the corner where the right blind will meet the centre blind or **Point B** in **Figure 1** above. Now measure your drop.

The arrows in these diagrams show the line to follow when measuring. Please supply the exact width measurement and do not take off any deductions.

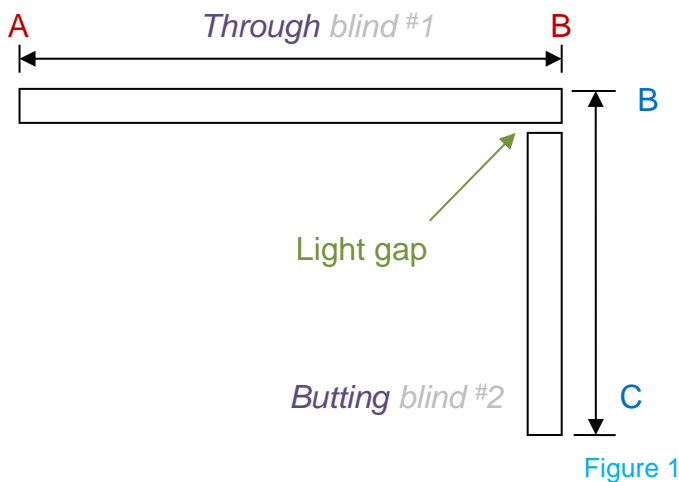


1. Measuring the left blind - measure at the top of your window where the blind will sit, measuring from the edge of the left hand side architrave and measure the distance into the corner of the architrave, where the left blind will meet the centre blind or **Point A** in **Figure 2** above. Now measure your drop.
2. Measuring the centre blind - measure the distance of the centre blind from **Point A** to **Point B** in **Figure 2**. Now measure your drop.
3. Measuring the right blind - measure at the top of your window where the blind will sit, measuring from the edge of the right hand side architrave into the corner where the right blind will meet the centre blind or **Point B** in **Figure 2** above. Now measure your drop.

MEASURING GUIDE

BLINDS BUTTING IN CORNER

1. Choose whether the corner window blinds will be Reveal (Inside Mount) or Face Fit (Outside Mount). Remember to check the windowsill depth required for your panel track, particularly for Reveal Fit, and allow for any obstructions within the window frame (e.g.: handles or cyclone bars).
2. Decide which blind will be your 'through blind' and which will be your 'butt blind'. Note where the light gap will be on the window; we suggest positioning the gap so it is less obvious in the room, or on the side which gets less sun.



1. Measuring the through blind - measure at the top of the window where the blind will sit, measuring from the left side **Point A** to the corner **Point B**. Now measure your drop.
2. Measuring your butting blind – measure at the top of your window where the blind will sit, measure the distance from the corner to the right side, **Point B** to **Point C**. Now measure your drop.
3. Note on your order which blind is *Butting* and which blind is *Through*. This information should be noted on both blinds when ordered. For example: blind #1 has a special note of “*Through*” blind, blind #2 has a special note of “*Butting*” blind. *This information must be supplied in order for correct deductions to made.*
4. It is also recommended to add a COMMENT to the order saying that no deductions have been made for the *Butting* blind.

Please note that there will always be a **Light gap** on butting blinds.