

Measuring Guide for a Side Channel Roller Blind

Please Note: These instructions should be read thoroughly before installing.

This is a guide to assist in the measuring of side channel roller blinds. Betta Blinds and Awnings does not guarantee the accuracy of the information contained in this guide. We recommend an experienced expert measurer/installer to rely upon their own skills. This is based on general knowledge concerning which is known to us at the time of printing this guide, consequently, is subject to change and Betta Blinds and Awnings specifically reserves the right to change this guide without notification.

- Use a good quality tape measure (metal ones are best) and measure down to the nearest mm.
- It is essential the measurements provided are accurate for the blinds to fit correctly (do not be surprised if your windows are not perfectly square)
- Measure all windows even if they appear to be the same size.
- Always indicate the WIDTH measurement first, then the DROP last. (e.g., 2100mm x 1800mm)
- Please take extra time to measure all the windows accurately, a helpful rule is "measure once, measure twice and measure again to be sure!"
- Take all your measurements in millimetres (mm).
- For larger blinds refer to the Betta Blinds pricing guide sizes to ensure the blind can be manufactured successfully and are covered by any appropriate warranties.
- Blinds made outside of Betta Blinds recommendations are not covered under warranty.

Fitting Recommendations:

These are the best options: Installing into the reveal (Reveal Fit), Installing onto the architrave (Face Fit) and outside or above the architrave into the wall studs (Face Fit).

You must be certain that the weight bearing capacity of the wall, ceiling or framework is sufficiently strong enough to bear the weight of the blinds to be installed. For example, plasterboard / gyprock may not be strong enough to hold dual / linked or motorised blinds. NB: Sunscreen fabrics weigh more than other fabrics.

There are a lot of variables when fixing to plasterboard such as the thickness of the plasterboard, how well braced it is (how far the studs are spaced), how close the fixings are together and how far away from the wall is the weight of the item. If installing into a hollow plasterboard cavity, then hollow plasterboard anchors could be used. Fitters would need to determine the number required to safely secure the blind brackets. It would be difficult to safely secure heavy blinds into a hollow plasterboard wall, only using plasterboard anchors. Consider variables which will contribute to the weight, such as blinds with a long drop size, heavy sunscreen fabrics, as well as the additional weight of motors and mode style battens (in the case of roman blinds).

When measuring for blinds, please discuss with your client the pros and cons of reveal fit and face fit. If there are concerns about the light gap between the blind and the frame, then face fit is recommended.

First Decision

The first decision that needs to be made before you measure your windows is whether you want to install the blind Face Fit (outside mount) or Reveal (inside mount) of the window frame. The most common fitting is Reveal Fit for a neater look, but make sure you have enough depth to allow that blind to fit and operate correctly. Use Face Fit if you want your blind to hang outside the window recess, or when the opening is too shallow, or the window is significantly out of square. We put together the pros and cons of both installation styles to help you decide.

Important Note: This is an essential safety precaution. We recommend that during the process of measuring you must also consider the consequences of any obstacles when it comes to the installation process. Always take note of any obstructions to the blind's operation, such as door and window handles, window mullions or storm bars. If obstacles are in the way you may need to measure and fit the blind differently.

Face Fit (outside mount): Side Channel Roller Blind

If your window is not deep enough for a Reveal Fit (inside mount), your other option is to install the blind outside the window. Here are reasons to consider a Face Fit (outside mount)

Pro

- It's more forgiving and flexible with measurements
- Makes a window appear larger
- An excellent option
- Can be easier to operate

Con:

- A disadvantage of choosing a Face Fit is it conceals the window architrave. If you live in an older home, you may not want to hide the architectural details behind a window treatment.
- Cassette will protrude out and look big in some homes
- The chain guide is more obvious

Reveal Fit (inside mount): Side Channel Roller Blind

If you'd like to install a blind inside the window frame, you first need to make sure the window has enough depth to install the blind you are ordering. Here are a few reasons to consider an inside mount:

Pro:

- Creates a clean, elegant look
- Highlights the architrave
- Suitable for windows that do not have much wall space around them

Con:

- A disadvantage of a reveal inside mount is that it requires precise measurements to make sure the blind fits properly in the window. Also, if the window's reveal lacks depth for an inside fit, the blind will possibly project from the window
- The blind may interfere with the opening and closing of a window or door
- Can be a little harder to operate as you are reaching to the side to open and close
- You can get light bleed along the bottom rail – *you can order a bottom channel to avoid this*
- You can get light bleed around the edges. If the window is not a flat surface the aluminium extrusion will not sit flush. When installing you can run a bead of silicone where needed to avoid this

Measuring for a Face Fit (outside mount) Side Channel

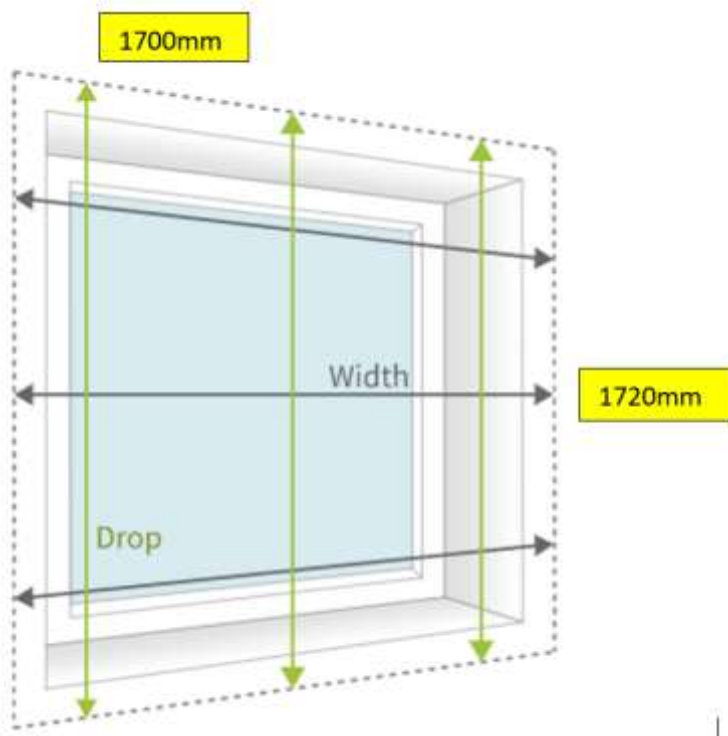
- Measure the width at the top of your opening and where you will be fitting the blind. It is recommended that the blind is measured from architrave to architrave or if you have square set windows 50mm - 100mm either side (this helps to provide better fabric coverage & more privacy). In the example below it is measured 100mm either side of the opening / architrave. Take 3 measurements, top, middle, and bottom as posts maybe out of square. Beta Blinds & Awnings recommends taking 3 measurements. You may need to use the smallest measurement in some circumstances.

**It is important that you take your main width measurement from the top of the window/opening as this is where your cassette will be fitted.*

- Measure the drop of the blind from the inside of where the blind is being fitted to, where you want the blind to finish as per photo below. Take 3 measurements, left, middle, and right. Beta Blinds & Awnings recommends taking 3 measurements. You may need to use the smallest measurement in some circumstances.

Note: If you are not stopping the blind at the architrave how far you measure down past the window is a personal choice. A rule of thumb is to measure 50mm - 100mm past the sill.

NOTE: This is just a guide only, you can measure higher up if possible or lower if required.



- **Example Above: Opening Width** is $1500\text{mm} + 100\text{mm} + 100\text{mm} = 1700\text{mm}$
Opening Drop is 1720mm (measured from the top of the architrave to where you want the blind to finish)
 - Order Blind @ 1700mm x 1720mm
- Open Size:** Please supply tight measurements and we will do the deductions.

NOTE: If a new build please allow for any carpet or tiles that may be laid at a later date.

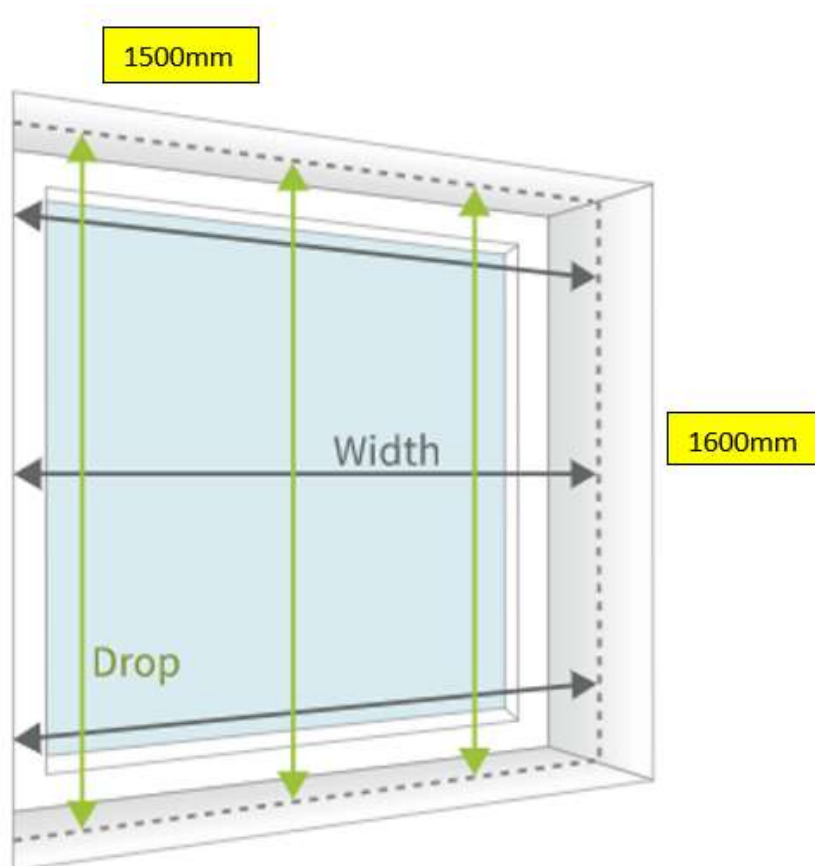
Measuring for a Reveal Fit (inside mount) Side Channel

- Measure the width at the top of your opening and where you will be fitting the blind. Measure the width from inside of the window to inside the window as per photo below, as this is where the blind is being installed it is one of the most vital measurements. Take 3 measurements, top, middle, and bottom as the window maybe out of square. Beta Blinds & Awnings recommends taking 3 measurements. You may need to use the smallest measurement in some circumstances.

**It is important that you take your main width measurement from the top of the window/opening as this is where your cassette will be fitted.*

NOTE: Check the depth of your reveal, you need a minimum reveal depth of 90mm to fit the whole cassette and side channels in. (Please use the recess fit depth requirement as a guide to how much space is needed for the blind to clear any window door handles or other obstructions.

- Measure the drop of the window from the inside of where the blind is being fitted to where you want the blind to finish, as per photo below. Take 3 measurements, left, middle, and right. Beta Blinds & Awnings recommends taking 3 measurements. You may need to use the smallest measurement in some circumstances.



Example Above: Opening Width is 1500mm

Opening Drop is 1600mm

Order Blind @ 1500mm x 1600mm

Open Size: Please supply tight measurements and we will do the deductions.

Please note Beta Blinds & Awnings doesn't recommend using a Side Channel Roller Blind in a Bay Window or Butting into a corner.