

## INSTALLATION GUIDE: CASSETTE SIDE CHANNELS FOR ROLLER BLINDS

**Please Note: These instructions should be read thoroughly before installing.**

This is a guide to assist in the installation and care of your blinds. Betta Blinds and Awnings do not guarantee the accuracy of the information contained in this guide. We recommend an experienced expert installer to rely upon their own skills. This is based on general knowledge concerning the assembly, materials and working process of the blinds, which is known to us at the time of printing this guide, consequently, is subject to change and Betta Blinds and Awnings specifically reserves the right to change this guide without notification.

♦ **The person installing a corded internal window covering must attach a label to the corded window covering containing the name and contact details of the person or company responsible for the installation.**  
♦ **They also must ensure that any warning label or swing tag supplied with the corded window covering remains attached to the cord.**

We recommend the use of the following Tools: Spirit Level, Steel measuring tape, Carpenter's level, Power or battery drill & bits, Flat blade and Phillips head screwdrivers

**The following should be included for each roller blind ordered:** ● Chain stopper ● Child safety tensioner ● Installation gloves

### ● **Standard Side Channel Operation Installation**

1. Check the marked width and drop sizes as indicated on the packaging against your original order.
2. Each blind is marked to indicate the room location, as per your order form, to assist in establishing the correct fitting location of multiple blind orders.
3. If all is correct layout the blinds at their location and remove protective packaging.
4. Untangle the operating chain from the shipping position.
5. Level mounting is critical to the correct operation of the blind. (Achieved using a spirit level)
6. Since different screws are required to suit different fixing applications, we do not supply screws. Please ensure you use the correct screws for mounting to the desired application, for example Gyprock, timber, concrete, brick, steel, or aluminium.
7. Remove plastic end caps from the cassette by sliding them off towards you.
8. Remove the front cover of cassette, slightly pull down on cover and pull towards you to remove.
9. Take blind out of cassette by turning the pin end ratchet wheel and remove blind from cassette.

**NOTE: Video Link:** How to remove a blind from its brackets:

<https://www.loom.com/share/9b1ac304d58748299a0044d5bca11f92>

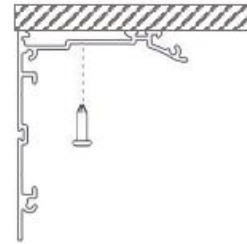
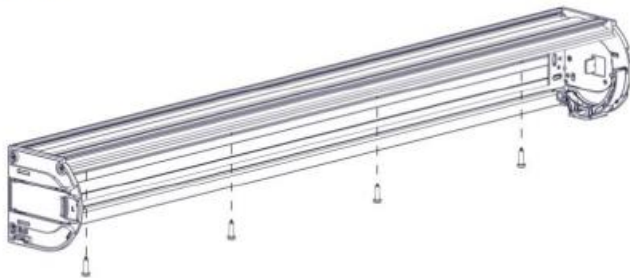
10. Remove protective packaging from the blind.
11. **Install cassette and side channels by following the below instructions.**
12. Once finished installing cassette place blind back into the cassette and replace cover and end caps.

## INSTALLATION GUIDE: CASSETTE SIDE CHANNELS FOR ROLLER BLINDS

### CASSETTE INSTALLATION

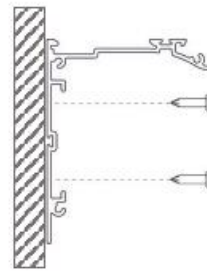
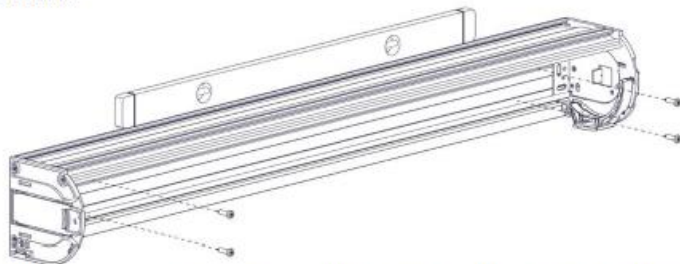
#### STEP 1 – INSTALL CASSETTE TO WALL/CEILING USING APPROPRIATE FIXINGS TO SUIT APPLICATION

##### TOP FIX



NOTE: Use grooves in aluminium to assist with positioning of fixings during installation

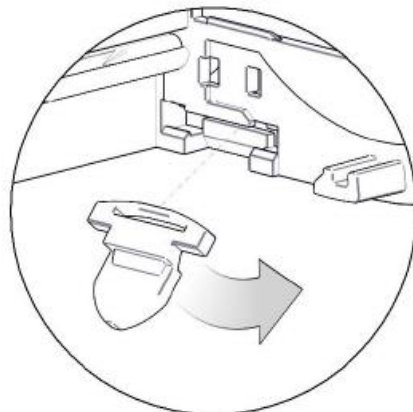
##### FACE FIX



NOTE: Use grooves in aluminium to assist with positioning of fixings during installation

### INSTALLING dim-OUTSIDE GUIDES (Side Channels)

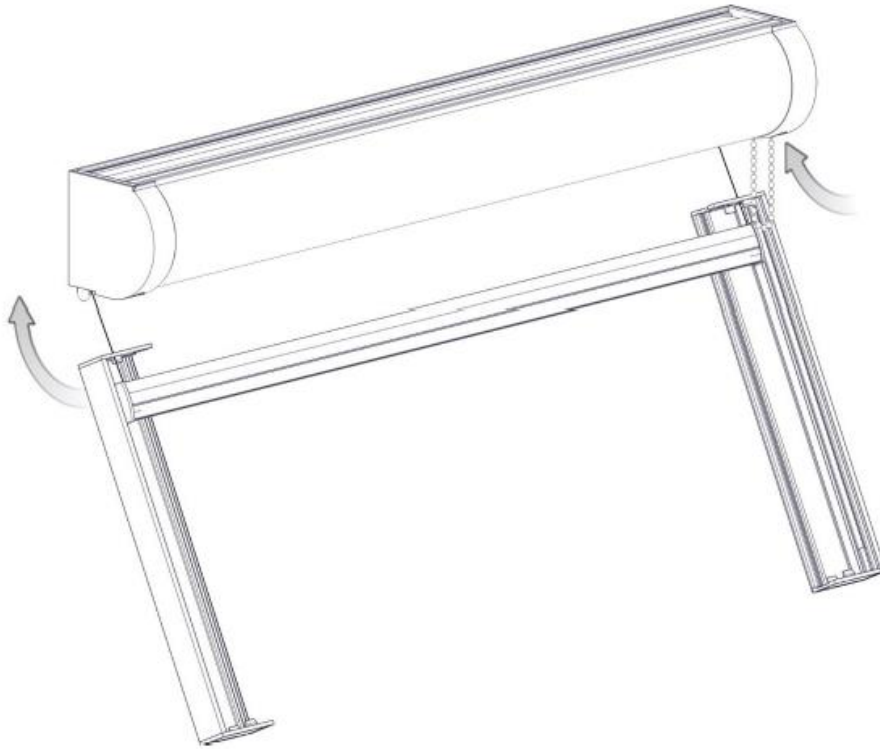
#### STEP 1 – INSTALL dim-OUT SIDE GUIDE EARS (IF NOT PREVIOUSLY INSTALLED AT ASSEMBLY)



NOTE: Ensure ear fits flush with outside of endplates  
FOR DIRECTIONS ON HOW TO INSTALL BLIND REFER TO PART C

## INSTALLATION GUIDE: CASSETTE SIDE CHANNELS FOR ROLLER BLINDS

**STEP 2 – LOCATE dim-OUT FIXING RAIL TO EAR FOR CORRECT POSITION**

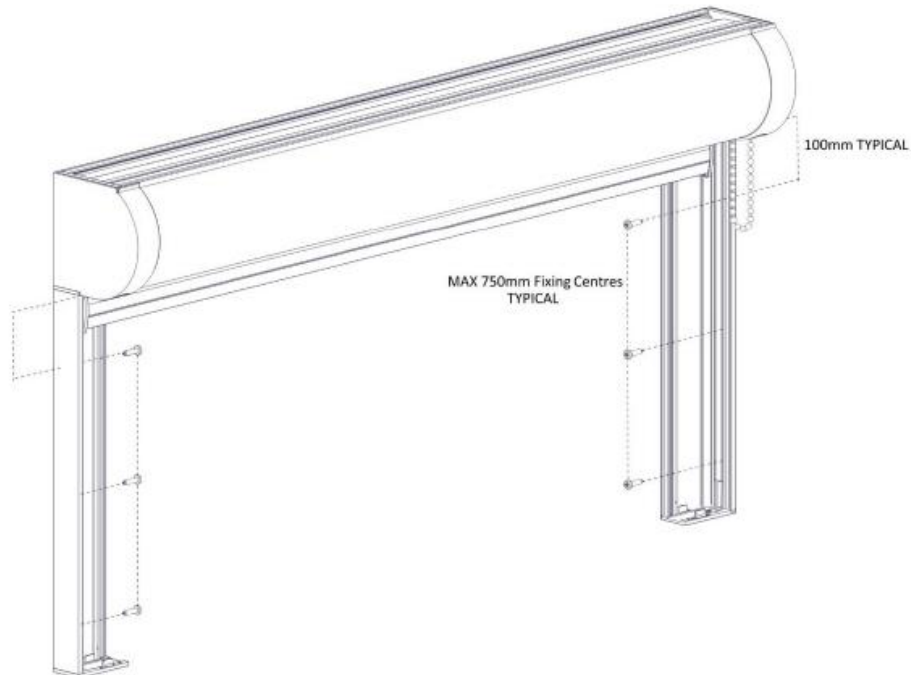


**NOTE:** Lift out fabric & weight bar to insert fabric into side guides

## INSTALLATION GUIDE: CASSETTE SIDE CHANNELS FOR ROLLER BLINDS

### STEP 3 – FIX SIDE GUIDES

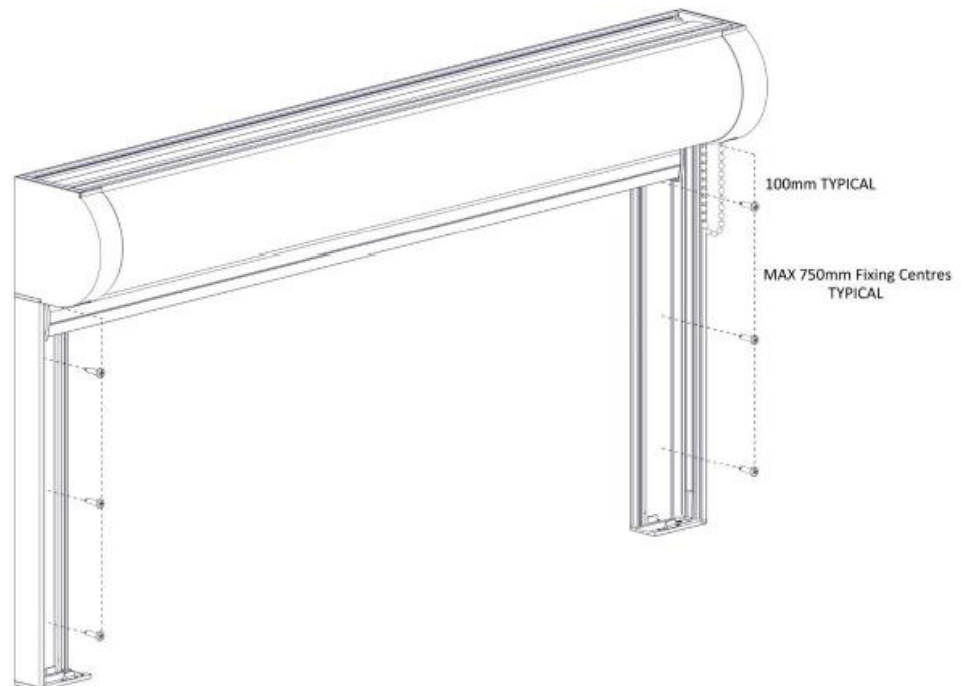
#### RECESS FIX



NOTE: Use grooves in fixing rail to centre fixing positions

NOTE: Ensure side guides are vertical and parallel using a spirit level

#### FACE FIX

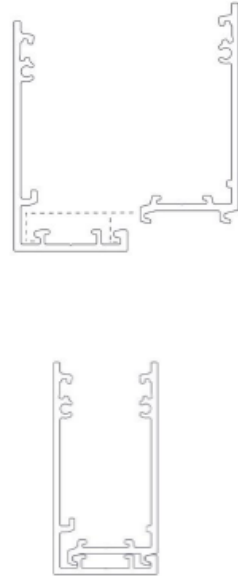
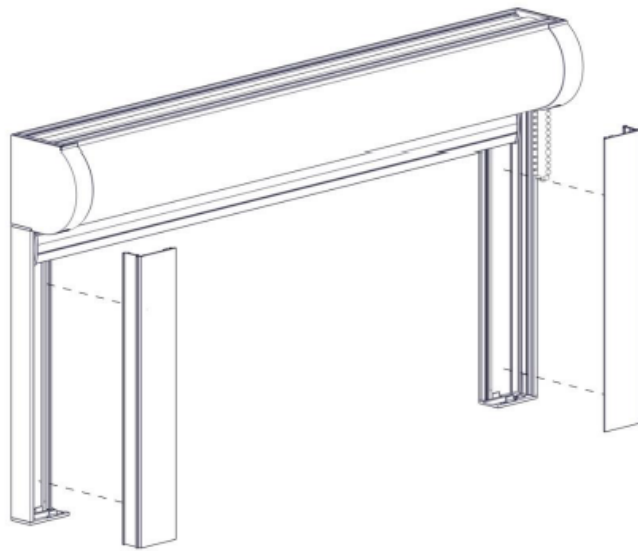


NOTE: Use grooves in fixing rail to centre fixing positions

NOTE: Ensure side guides are vertical and parallel using a spirit level

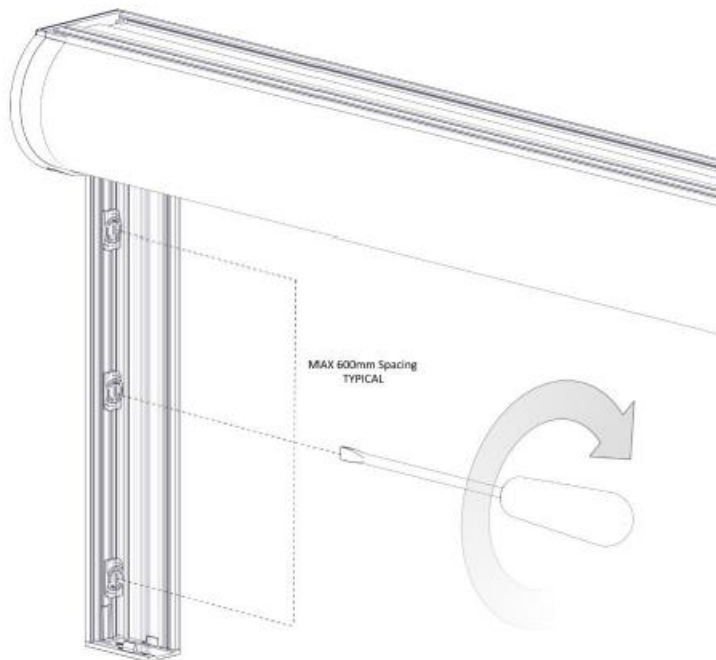
## INSTALLATION GUIDE: CASSETTE SIDE CHANNELS FOR ROLLER BLINDS

### STEP 4 – INSERT SIDE GUIDE FRONT COVERS

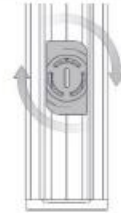


NOTE: Ensure side guide locks are vertical on extrusion

### STEP 5 – USE A FLAT HEAD SCREW DRIVER TO SECURE THE SIDE GUIDES TOGETHER



MAX 600mm Spacing  
TYPICAL



UNLOCKED POSITION:  
ROTATE CLOCKWISE TO LOCK



LOCKED POSITION

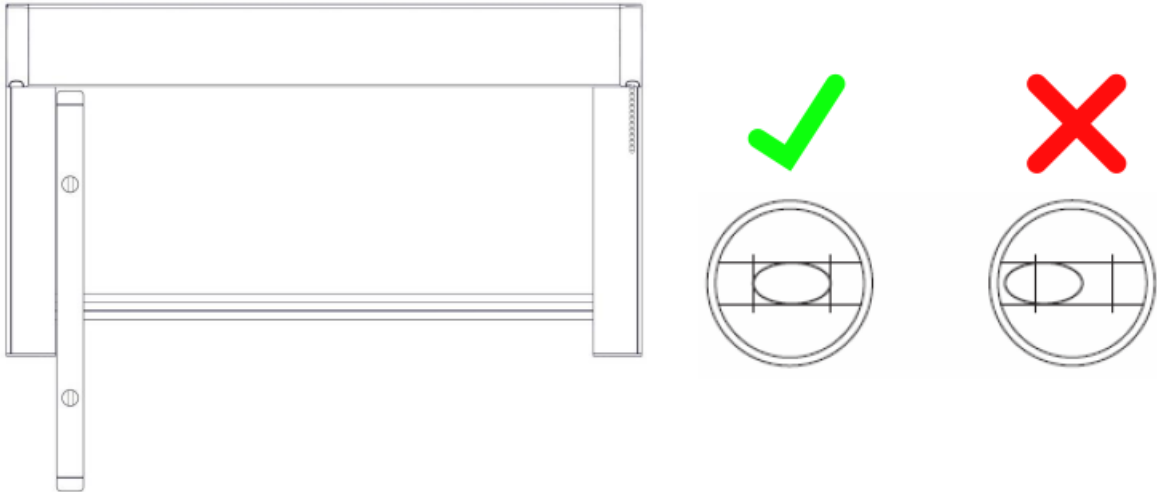


NOTE: diMOUT cover has been removed for clarity

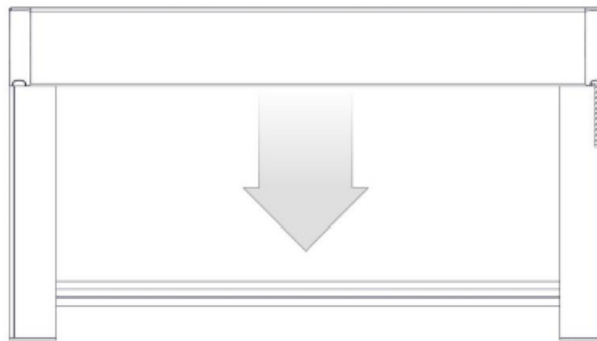
## INSTALLATION GUIDE: CASSETTE SIDE CHANNELS FOR ROLLER BLINDS

### STEP 6 – TEST BLIND TO ENSURE IT IS OPERATING CORRECTLY

Check dim-OUT channels are vertical and parallel using a level



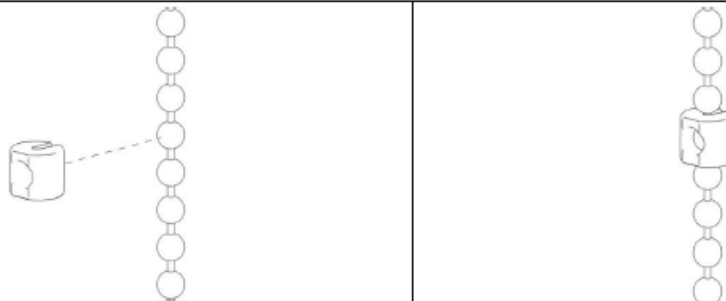
Run blind down and up to ensure correct operation



### STEP 7 – SET LIMITS TO BLIND (IF MOTORISED)

Please refer to instructions provided with motor.

### STEP 8 – ATTACH CHAIN STOP TO CHAIN AS REQUIRED



Refer to Roller Catalogue *Chains & Accessories* for all chain stop options

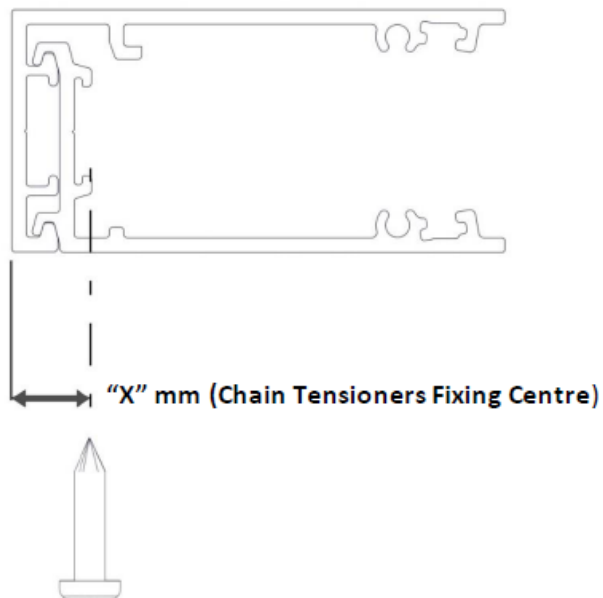
## INSTALLATION GUIDE: CASSETTE SIDE CHANNELS FOR ROLLER BLINDS

### INSTALLING CHAIN TENSIONER (CHAIN OPERATED BLINDS)

#### STEP 1 – SECURE CHAIN TENSIONER ACCORDING TO CHILD SAFETY LEGISLATION

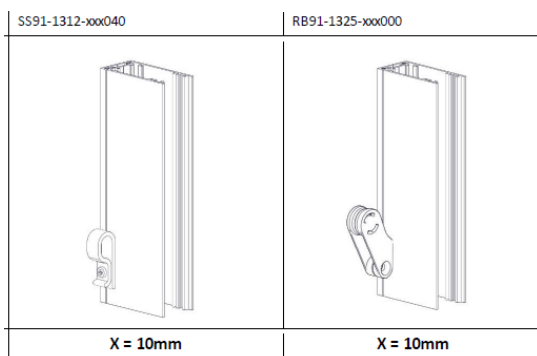
FOR PLAIN CASSETTE: REFER TO *CHAIN TENSIONING DEVICE* INSTALLATION MANUAL

FOR Dim-OUT:

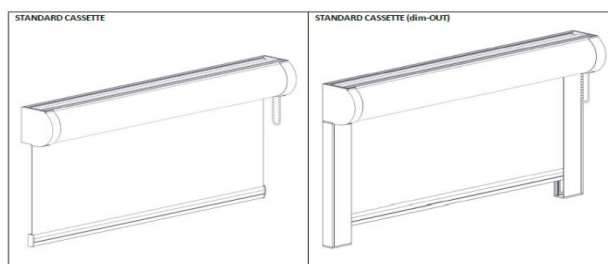


#### IMPORTANT NOTE:

- All tensioners to be fixed to side guides as specified to ensure bottom rail function is not affected
- To assist with installation it is recommended to drill pilot holes in the side guide
- When installing Chain Tensioning devices you must refer to the Chain Tensioning Devices Installation manual
- For RB91-1321-xxx000 consult "BOM + Cutting List" for correct deduction  
(*CASSETTE FASCIA SUITE ASSEMBLY MANUAL –Section 2, Part D*)



INSTALLED BLIND



## INSTALLATION GUIDE: CASSETTE SIDE CHANNELS FOR ROLLER BLINDS

### Raising and Lowering the Blind

1. After installing using the chain, draw the blind up and down twice to settle the blind after transporting and to also check that the fabric is not rubbing against any obstacles. This can damage the blind if left untreated.
2. The chain should **never** be pulled on an angle, just straight up or down in a vertical motion. This stops fabric being damaged, limits noise, and allows blind to lift evenly.
3. Install the child safety device by ensuring the chain is tangle free and then mounting to the desired location keeping the chain in a straight line down from the control mechanism. Use screw to fix each cleat or tensioning device in a place that is out of reach of children. Never secure these devices with materials that fail when a load is placed on them, such as double-sided tape or glue.
4. The appropriate tension required on the chain can be achieved by pulling down firm and then releasing that tension by approximately 5mm. Most importantly the chain must not be able to form a loop with a circumference equal to or greater than 220mm, as per the child safety legislation. See over page for further Children's safety information as per Trade Practice – Consumer Product Safety Standard – Corded Internal Window Coverings) Regulations 2010 (2010 No.212).

**NOTE: Video Link:** How to track roller blinds:

<https://www.loom.com/share/dcdc2bc4e41c46f682caedb509bc520c>

### ☐ Maintenance and cleaning

Regularly remove surface dust gently with a clean dry soft cloth, feather duster or soft brush or wipe with a dry sponge. Recommended cleaning agent is mild detergent in lukewarm water. Stains and smudges can be removed with lukewarm water and neutral soap on a sponge. The sponge should be squeezed almost dry. Fabric may be sponged but severe rubbing should be avoided. White spirits may be used for spot cleaning; methylated spirits (ethanol) and dry-cleaning solvent (Perc) must not be used. If commercial spot cleaners are used, then instructions regarding testing of an inconspicuous area should be followed. For any cleaners used, first test and allow to dry on an inconspicuous area to ensure compatibility. For removing small marks an art gum eraser can be used with light rubbing.

Please note that all fabrics fade from UV exposure. If blinds are left up for a long time without being pulled down regularly, all fabrics will fade unevenly. Fabric will fade evenly if blinds are down during the day, getting even UV exposure. When fading occurs in that instance, it is even across the entire fabric and is not noticeable.

Professional ultrasonic cleaning can be undertaken by specialist cleaning businesses.

### ☐ Warranty

Betta Blinds guarantee the quality on all our specified fabrics free from defects for one (1) year from date of purchase. All fabrics manufactured by Betta Blinds are cut using Ultrasonic or Aeronaut Fabric Cutting Technology, this is essential for cutting square and to aid the elimination of fabric fray. Due to this technology, we can guarantee our fabrics against fault of manufacture. Betta Blinds guarantee the quality on all our blind components free from defects and/or failure for five (5) years from the date of purchase. The guarantee on Betta Blinds products does not cover defects or damage caused by accidents, alterations, misuse, abuse, wear and tear or failure to comply with cleaning and maintenance instructions. Betta Blinds does not warranty the fading of fabrics and timbers caused by direct and/or indirect sunlight. Under the guarantee Betta Blinds shall not be liable or responsible for incidental or consequential damages or any other direct or indirect damage, loss, cost, expense or fee. SIZE LIMITATIONS: MAXIMUM WIDTH 2400mm,



## INSTALLATION GUIDE: CASSETTE SIDE CHANNELS FOR ROLLER BLINDS

MAXIMUM DROP 2200mm (blinds over these sizes are not guaranteed and will not be replaced if problems occur). Veeing (distorted draping) of fabric may occur on blinds over 2000mm wide.

### **WARNING:**

**CURTAIN AND BLIND CORDS HAVE CAUSED THE DEATH OF YOUNG CHILDREN AND MUST BE INSTALLED SO THAT THEY ARE NOT A STRANGULATION HAZARD. FOLLOW THE INSTALLATION INSTRUCTIONS**

#### **Keep children away from all cords/chains.**

Move anything a young child can sit in, stand in or climb on (like cots, highchairs, beds, sofas, tables, chairs and bookshelves) away from cords/chains—even those tied around a cleat, as your child may be able to untie them.

Do not let your child play near cords/chains they can easily reach. Never leave your child alone in a room with cords/chains they can reach.



#### **CHILDREN'S SAFETY REGULATIONS:**

- To avoid creating a possible strangulation hazard for children, the corded internal window covering must be installed in such a way that a loose cord cannot form a loop 220mm or longer at a height of less than 1,600mm above floor level.
- No part of a cord guide may be installed lower than 1,600mm above floor level unless, the cord guide will remain firmly attached to a wall or structure specified in the installation instructions when subjected to tension force of 70 N applied in any direction for 10 seconds and the cord is sufficiently secured or tensioned to prevent the formation of a loop 200mm or longer.
- If a cord guide is installed lower than 1,600 above floor level it must be designed to prevent a child from being able to remove the cord.
- If a cleat is used to secure the cord it must be at least 1,600mm above floor level because a child is capable of unwinding a cord from a cleat.
- **The person installing a corded internal window covering must attach a label to the corded window covering containing the name and contact details of the person or company responsible for the installation.**
- **They also must ensure that any warning label or swing tag supplied with the corded window covering remains attached to the cord.**