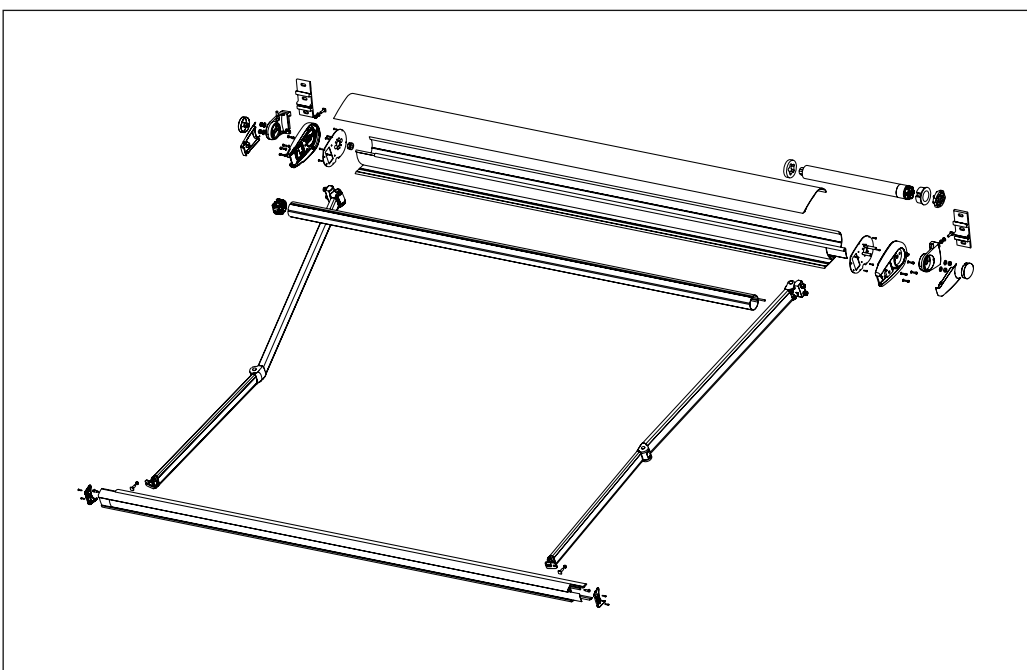


1-2017

FA60-series



FOLDING ARM AWNING COMPONENT BOOK

FA62

FA64

HunterDouglas 

Description

Range of application

FA62 is a heavy-duty folding arm awning designed for terraces, bungalows, balconies, kiosks, shops, restaurants etc. FA64 provides flexibility at installation and the possibility for a wider awning.

Operation

External or internal operation by motor. The motor can be completed with automatic controls, for example remote control or sun and wind sensors.

Installation

The awning can easily be installed directly onto the wall.

Folding arms

The arm components are manufactured of pressure die casted aluminium and the arm profiles of extruded aluminium. Dyneema® connection over knees improves the stability of the awning. Heavy-duty springs provide an excellent tension of the fabric.

Components

The installation brackets are manufactured of extruded aluminium. Bushings for roller tube 78 mm are manufactured of pressure die casted zinc.

Powder coated articles have colour code 0001 for white(RAL 9010), 0182 for silver and 0914 for black. Untreated or galvanised articles have colour code 0000. End caps for front profile are manufactured of polyethylene, bushing in self lubricating polyamide. Pigmented articles have colour code 0001 for white, 0049 for black and 0182 for silver. Fasteners are manufactured of stainless steel, zinc plated steel or steel surface treated with Dacro 500 LC. Crank handles in RAL7035.

Profiles

The front tube and cassette profiles are manufactured of extruded aluminium. Powder coated aluminium profiles have colour code 0001 for white(RAL9010), 0182 for silver and 0914 for black. Roller tube 78 is manufactured of special zinc plated steel.

Dimensions FA62

Depth 280 mm
Height 178 mm
Projection (m) 2.0, 2.5, 3.0 och 3.5.
Max width 5.0 m
Pitch angle: 5 - 45°.

Dimensions FA64

Depth 288 mm
Height 160 mm
Projection (m) 2.0, 2.5, 3.0, 3.5 och 4.0.
Max width 7.0 m (Max 6.0m at 4.0m projection).
Pitch angle: 5 - 40°.

The maximum measurements are recommended and should not be exceeded. If the installation conditions are difficult, even these dimensions should be reconsidered.

Nonstandard articles

Article numbers marked "Nonstandard" are not kept in stock, which results in longer delivery times. Minimum order quantities (Min) apply.

Subject to changes without notice.

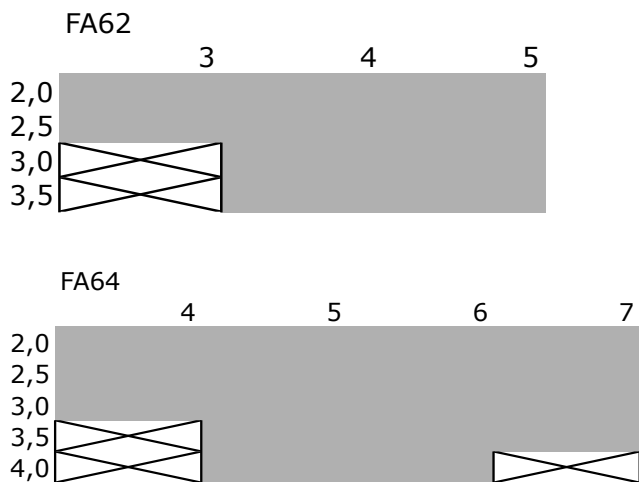
Information EN 13561




Overview Wind Classes

Class	Wind Strength (Beaufort)	Wind speed (km/h)	Wind speed (m/s)	Pressure (N/m ²)
0	1-3	≤ 19	≈5,3	< 40
1	4	20-28	≈7,7	40
2	5	29-38	≈10,5	70

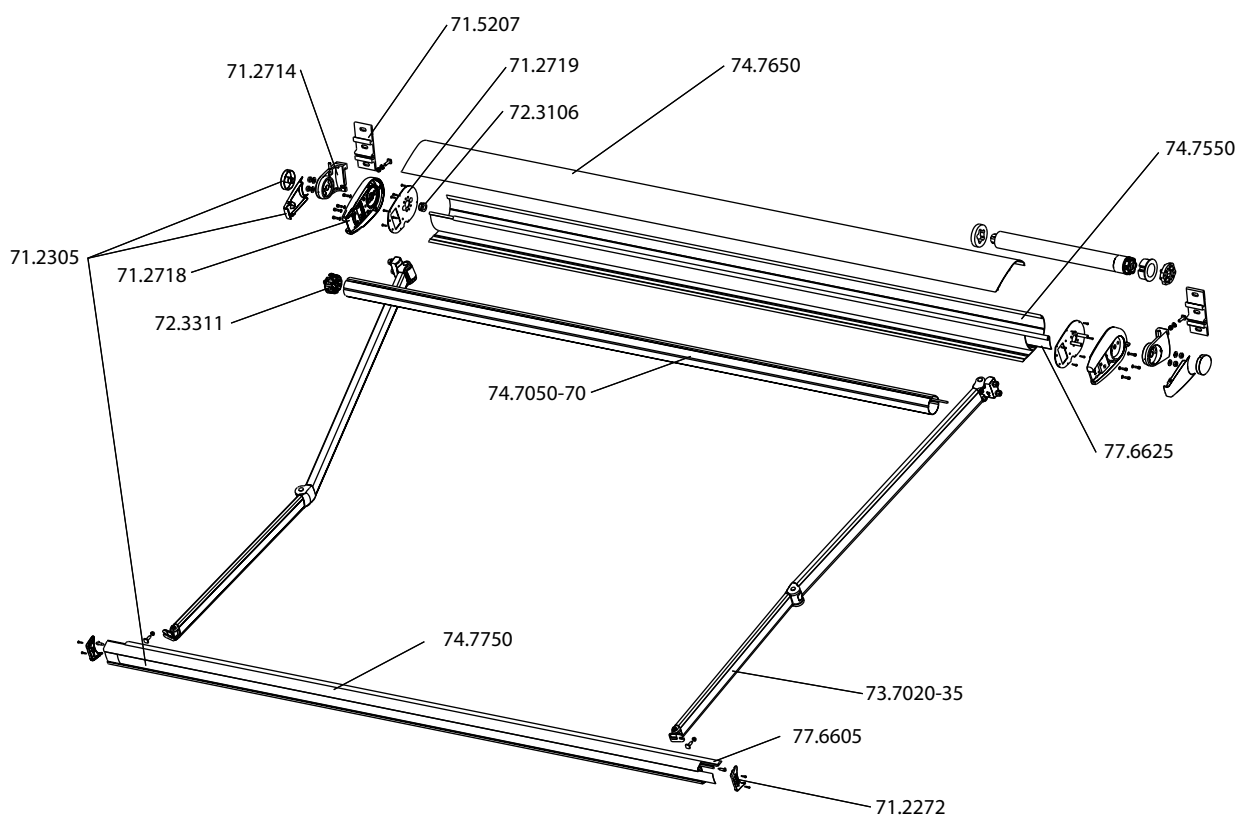
To fulfil the according wind class it is very important that the awning is mounted with the right amount of installation brackets and with suitable fasteners. It must be prevented that the fastening is the weakest link.

Wind classification according to EN13561

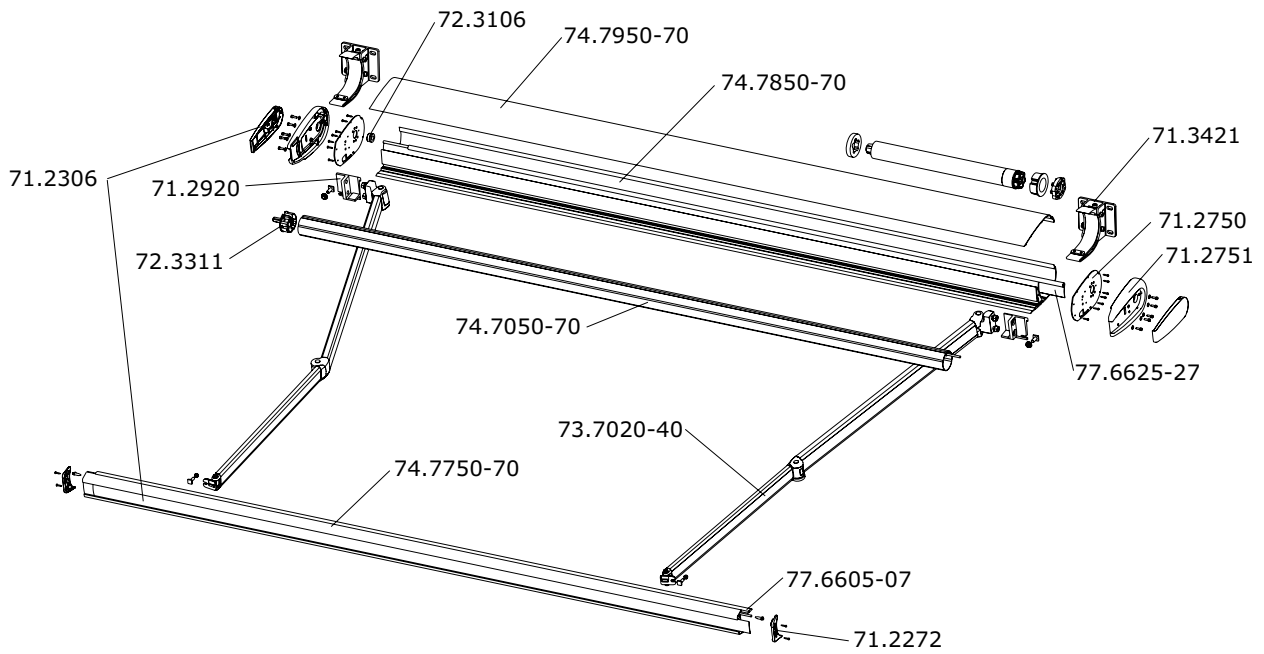


-  Wind class 2
-  Wind class 1
-  Not available

Exploded view FA62



Exploded view FA64



Cross Reference

Description	Article no.	Articles for assembly	Quantity
End cover	71.2272	66.1066	4
End bracket wall combi cassette	71.2714	66.1034	2
		66.1151	2
Gable inner	71.2719	66.1066	12
		66.1150	4
		66.1106	4
Gable inner	71.2750	66.1066	7
Folding arm	73.7020-40	66.1035	1
		66.1151	1

FA62

Cutting specifications from total awning width

Upper & lower cassette profile	105 mm
Front profile	120 mm
Decor slat (in front)	111 mm
Plastic profile cassette (fabric support)	
Plastic profile front	121 mm
Roller tube 78 mm	145 mm
Fabric	175 mm

Deduction Motor Somfy LT50

110 mm

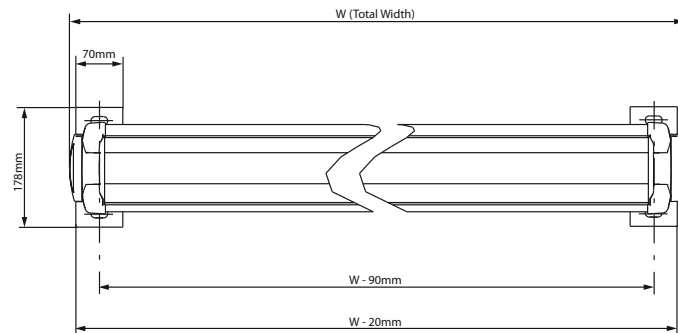
Fabric requirements

Fabric requirements: arm projection + 200mm

Minimum awning width

Arm projection	2 arms
2,0m	2 150 mm
2,5m	2 650 mm
3,0m	3 150 mm
3,5m	3 850 mm

Installation measuring FA62



Fabrication guidelines FA64

Cutting specifications from total awning width

Upper & lower cassette profile	60 mm
Front profile	75 mm
Decor slat (in front)	66 mm
Plastic profiles (slide & guide)	65 mm
Plastic profile front	76 mm
Roller tube 78 mm	100 mm
Fabric	130 mm

Deduction Motor Somfy LT50

Fabric requirements

Fabric requirements: arm projection + 220mm

Minimum awning width

Arm projection	2 arms	3 arms
2,0m	2 250 mm	3 350 mm
2,5m	2 750 mm	4 100 mm
3,0m	3 250 mm	4 850 mm
3,5m	3 950 mm	5 900 mm
4,0m	4 450 mm	6 650 mm

FA62 – weight finished cassette (kg)

Projection:	Width:								
	3,0m	3,25m	3,5m	3,75m	4,0m	4,25m	4,5m	4,75m	5,0m
2,0m	44,0	46,5	49,0	51,0	53,5	56,0	58,5	61,0	63,5
2,5m	46,0	48,5	51,0	53,5	56,0	58,5	61,0	63,5	66,0
3,0m	-	51,0	53,5	56,0	58,5	61,5	64,0	66,5	69,0
3,5m	-	-	-	-	61,0	63,5	66,5	69,0	71,5

FA64 – weight finished cassette, excluding wall installation kits (kg)

Projection:	Width:																
	3,0m	3,25m	3,5m	3,75m	4,0m	4,25m	4,5m	4,75m	5,0m	5,25m	5,5m	5,75m	6,0m	6,25m	6,5m	6,75m	7,0m
2,0m	51,0	54,0	57,0	60,0	63,5	66,5	69,5	72,5	75,5	78,5	81,5	84,5	88,0	-	-	-	-
2,5m	53,0	56,5	59,5	62,5	65,5	68,5	72,0	75,0	78,0	81,0	84,0	87,5	90,5	-	-	-	-
3,0m	-	59,0	62,0	65,0	68,5	71,5	74,5	77,5	81,0	84,0	87,0	90,5	93,5	-	-	-	-
3,5m	-	-	-	-	70,5	74,0	77,0	80,0	83,5	86,5	90,0	93,0	96,0	-	-	-	-
4,0m	-	-	-	-	-	-	79,5	82,5	86,0	89,0	92,5	95,5	99,0	-	-	-	-

Projection:	Width:																
	3,0m	3,25m	3,5m	3,75m	4,0m	4,25m	4,5m	4,75m	5,0m	5,25m	5,5m	5,75m	6,0m	6,25m	6,5m	6,75m	7,0m
2,0m	-	-	61,5	64,5	68,0	71,0	74,0	77,0	80,0	83,0	86,0	89,0	92,5	95,5	98,5	101,5	104,5
2,5m	-	-	-	-	-	74,0	77,5	80,5	83,5	86,5	89,5	93,0	96,0	99,0	102,0	105,0	108,5
3,0m	-	-	-	-	-	-	-	-	87,5	90,5	93,5	97,0	100,0	103,0	106,0	109,0	112,5
3,5m	-	-	-	-	-	-	-	-	-	-	-	-	103,5	106,5	110,0	113,0	116,0

Projection:	Width:																
	3,0m	3,25m	3,5m	3,75m	4,0m	4,25m	4,5m	4,75m	5,0m	5,25m	5,5m	5,75m	6,0m	6,25m	6,5m	6,75m	7,0m
2,0m	-	-	-	-	-	-	78,5	81,5	84,5	87,5	90,5	94,0	97,0	100,0	103,0	106,0	109,0
2,5m	-	-	-	-	-	-	-	-	-	-	95,0	98,0	101,5	104,5	107,5	110,5	113,5
3,0m	-	-	-	-	-	-	-	-	-	-	-	-	-	-	112,5	116,0	119,0

Motor torque:

- 2 arms: 35 Nm
- 3 arms: 45 Nm
- 4 arms: 55 Nm

Bill of material: FA62 with motor operation

	Colour [XXXX = Colour code]	3.0 m	Qty 4.0 m	5.0 m	Unit	Pack [Unit]
Folding arms						
Folding arm 2.0 m	73.7020.XXXX	1	1	1	Pair	1
Folding arm 2.5 m	73.7025.XXXX	1	1	1	Pair	1
Folding arm 3.0 m	73.7030.XXXX	1	1	1	Pair	1
Folding arm 3.5 m	73.7035.XXXX	1	1	1	Pair	1
T-slotted bolt	66.1035.0000	2	2	2	PCS	100
Flange nut	66.1151.0000	2	2	2	PCS	100
Profiles						
Cassette Lower	74.7550.XXXX	3,0	4,0	5,0	m	2 profiles
Cassette Upper	74.7650.XXXX	3,0	4,0	5,0	m	2 profiles
Roller tube 78 mm	74.70x0.0000	3,0	4,0	5,0	m	1/39 profiles
Frontprofile Cassette	74.77x0.XXXX	3,0	4,0	5,0	m	2 profiles
Locking profile	71.5601.0000	6,0	8,0	10,0	m	144 / 1440
Fabric sliding profile	77.662x.0000	3,0	4,0	5,0	m	6 profiles
Guiding profile upper	77.660x.0000	3,0	4,0	5,0	m	6 profiles
Components						
Wall bracket Combi Cassette	71.5207/9.XXXX	2	2	2	PCS	6
Screw	66.1209.0000	6/12	6/12	6/12	PCS	25
T-slotted bolt	66.1034.0000	2	2	2	PCS	100
Flange nut	66.1151.0000	2	2	2	PCS	100
End bracket Wall Combi Cassette	71.2714.XXXX	1	1	1	Pairs	2
Nut	66.1150.0000	4	4	4	PCS	100
Washer	66.1106.0000	4	4	4	PCS	100
Gabel Inner Steel L+R	71.2719.0000	1	1	1	Pairs	2
Screw	66.1066.0000	12	12	12	PCS	100
End bracket Combi Cassette L+R	71.2718.XXXX	1	1	1	Pairs	6
Decor kit	71.2305.XXXX	1	1	1	PCS	1
Bushing	72.3106.0000	1	1	1	PCS	20
Drive bushing 15 mm	72.3311.0000	1	1	1	PCS	10
End Cover Front L+R Combi Cassette	71.2272.0001	1	1	1	Pairs	20
Screw	66.1066.0000	4	4	4	PCS	100
Fabric lock	71.5613.0000	4	4	4	PCS	100

For motor operation use:

- Motor
- Motor bracket
- Motor Crown
- Motor Drive Bushing

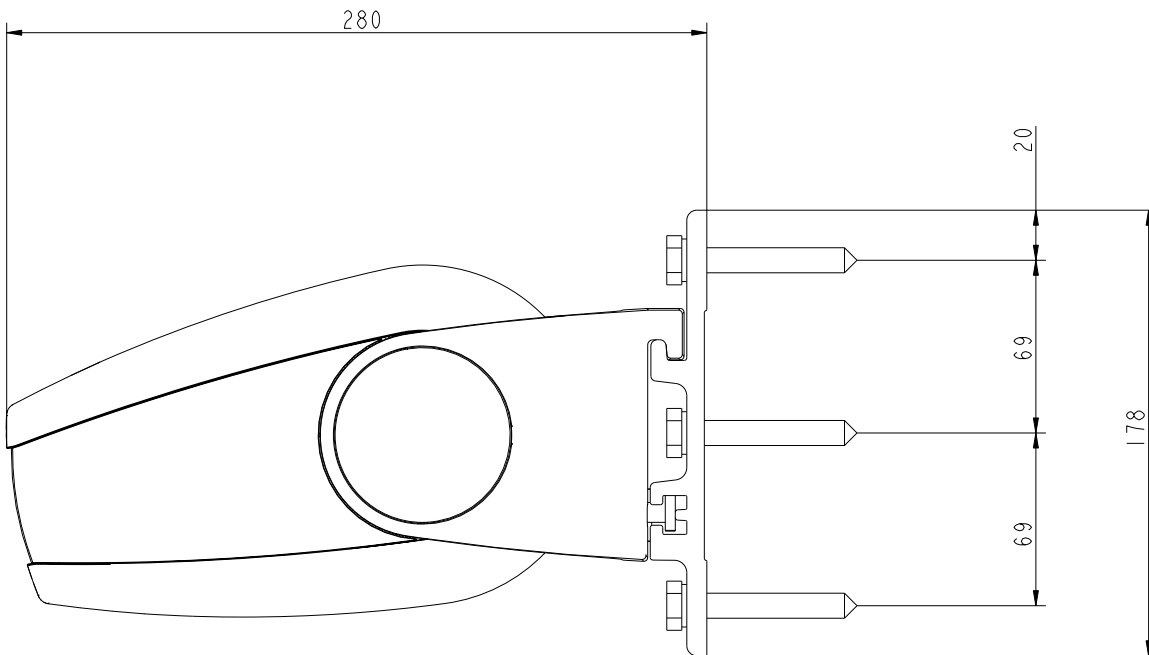
Bill of material: FA64 with motor operation

	Colour [XXXX= Colour code]	3.0 m	4.0 m	Qty 5.0 m	6.0 m	7.0 m	Unit	Pack [Unit]
Folding arms								
Folding arm 2.0 m	73.7020.XXXX	1	1	1	1	1,5	Pair	1
Folding arm 2.5 m	73.7025.XXXX	1	1	1	1	1,5	Pair	1
Folding arm 3.0 m	73.7030.XXXX	–	1	1	1	1,5	Pair	1
Folding arm 3.5 m	73.7035.XXXX	–	1	1	1	1,5	Pair	1
Folding arm 4.0 m	73.7040.XXXX	–	–	1	1	–	Pair	1
Arm bracket	71.2920.XXXX	2	2	2	2	1,5	PCS	4
T-slotted bolt	66.1035.0000	2	2	2	2	3	PCS	100
Flange nut	66.1151.0000	2	2	2	2	3	PCS	100
Profiles								
Cassette Lower	74.78x0.XXXX	3,0	4,0	5,0	6,0	7,0	m	2 profiles
Cassette Upper	74.79x0.XXXX	3,0	4,0	5,0	6,0	7,0	m	2 profiles
Roller tube 78 mm	74.70x0.0000	3,0	4,0	5,0	6,0	7,0	m	1/39 profiles
Frontprofile Cassette	74.77x0.XXXX	3,0	4,0	5,0	6,0	7,0	m	2 profiles
Locking profile	71.5601.0000	6,0	8,0	10,0	12,0	14,0	m	144 / 1440
Fabric sliding profile	77.662x.0000	3,0	4,0	5,0	6,0	7,0	m	6 profiles
Guiding profile upper	77.660x.0000	3,0	4,0	5,0	6,0	7,0	m	6 profiles
Components								
Installation bracket kit	71.3421.XXXX	2	2	3	3	3	PCS	4
Screw	66.1209.0000	8	8	8	8	12	PCS	25
Gabel Inner	71.2750.0000	2	2	2	2	2	PCS	4
Screw	66.1066.0000	14	14	14	14	14	PCS	100
Gable outer	71.2751.XXXX	1	1	1	1	1	Pairs	2
Decor kit	71.2306.XXXX	1	1	1	1	1	Pairs	10
Bushing	72.3106.0000	1	1	1	1	1	PCS	20
Drive bushing 15 mm	72.3311.0000	1	1	1	1	1	PCS	10
End Cover Front L+R Cassette	71.2272. XXXX	1	1	1	1	1	Pairs	20
Screw	66.1066.0000	4	4	4	4	4	PCS	100
Fabric lock	71.5613.0000	4	4	4	4	4	PCS	100

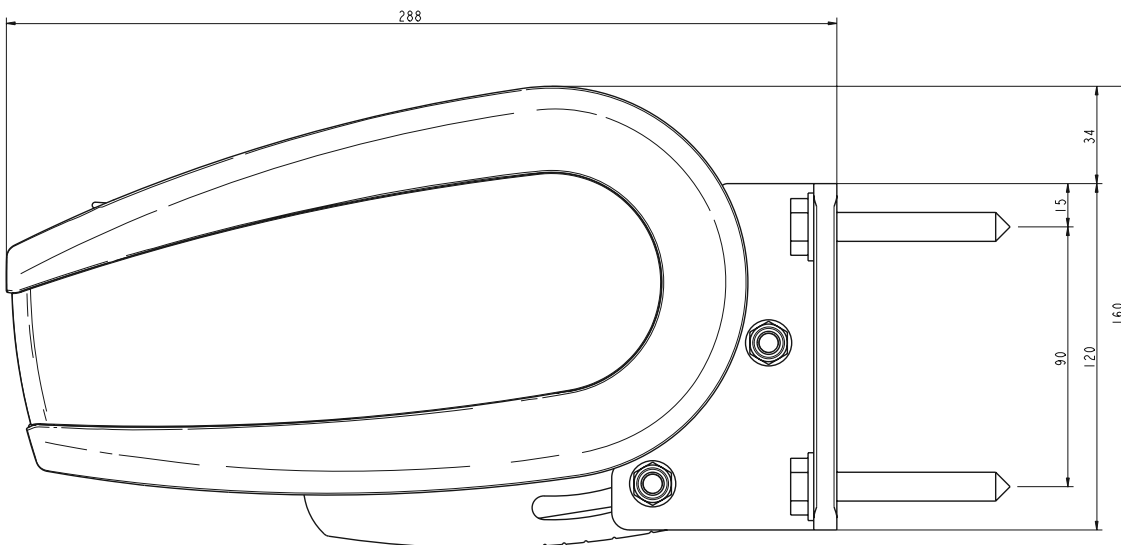
For motor operation use:

- Motor
- Motor bracket
- Motor Crown
- Motor Drive Bushing

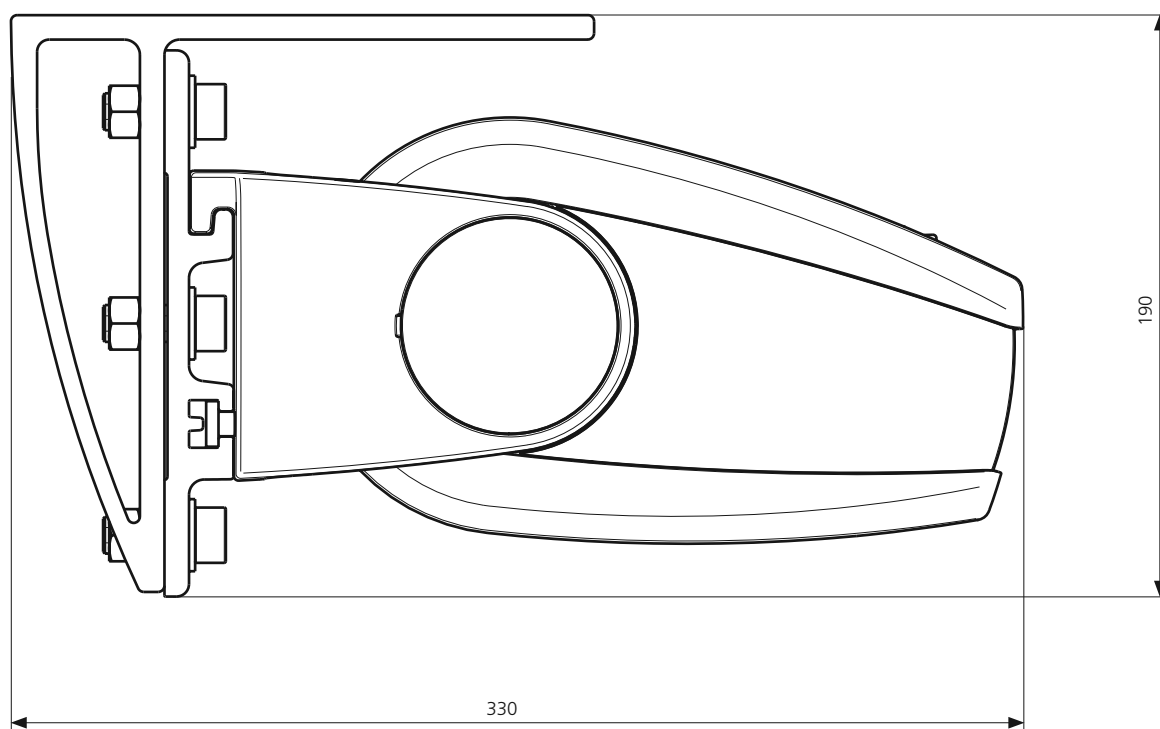
Installation view FA62 Wall Mount



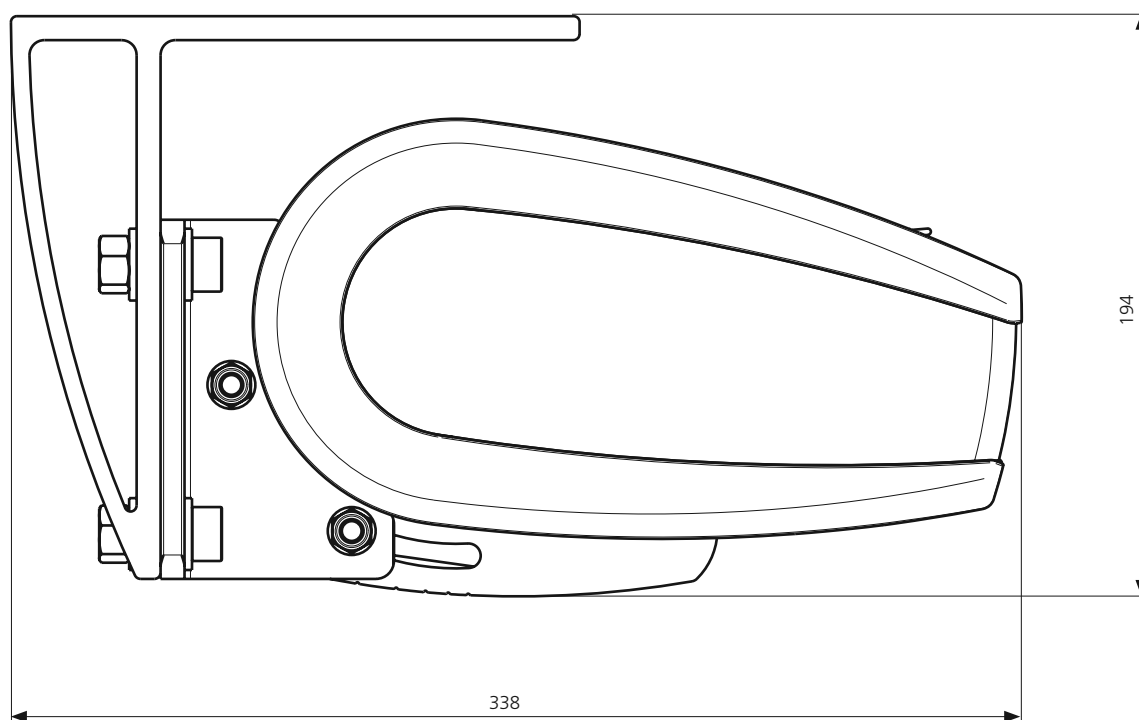
Installation view FA64 Wall Mount



Installation view FA62 Roof Mount



Installation view FA64 Roof Mount



Projection and pitch diagram FA62-64

