

All products made by Betta Blinds and Awnings are custom made to order and cannot be returned except for warranty approved repairs or replacements. For this reason it is essential that the area to be covered is measured correctly.

Here are a few helpful tips:

- Use a good quality tape measure (metal ones are best) and measure down to the nearest mm
- It is essential the measurements provided are accurate for the blinds to fit correctly (don't be surprised if your windows / posts aren't perfectly square)
- **Never drill into mortar!** Measure to the next brick up and measure to the centre of the brick
- Measure **all** windows / posts, even if they appear to be the same size
- Awnings can be fitted in various positions:
- Decide if you want your awnings installed within the window opening (Inside/Reveal/Recess Fit) or on your wall/architrave (Outside/Face Fit).
 - FACE FIT (OUTSIDE) – this can be the face of your wall, the face on a post. This covers the total open area including the frame from top to bottom and side to side
 - REVEAL FIT (RECESS/INSIDE) – inside measurement between posts, inside a recess

The most common fitting for an awning is Face Fit, as this will minimise light leakage offering a cooler solution. If fitting in recess make sure you have enough depth to allow the product to fit and operate correctly.

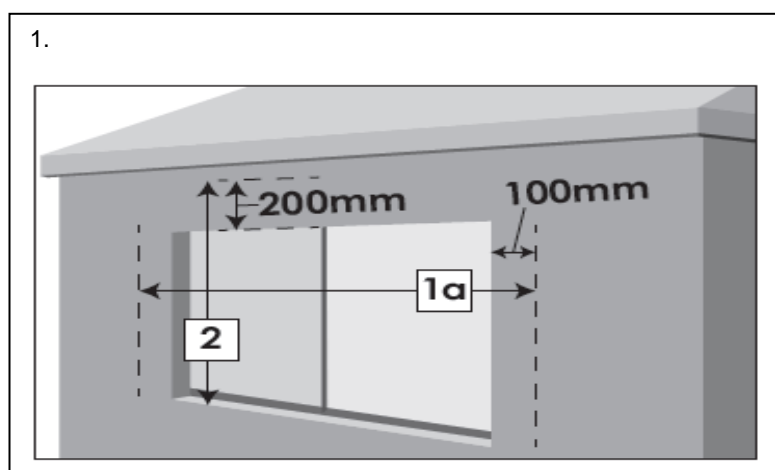
- Always take note of any obstructions to the awnings operation, such as down pipes, air conditioners, windows that open outwards, or if an awning with arms (Betta 2000, Betta 4000) will be in a walkway and or driveway
- **Always indicate the WIDTH measurement first, then the DROP last.** (e.g.. 2150w x 1530d or 2150 x 1530)
- These measurements required are known as the **opening size** or **tight fit** measurements and must be supplied correctly as measured, without any deductions made, in order for Betta Blinds and Awnings to guarantee correct fitting.
- Please take extra time to measure all of the windows / posts accurately and check the measurements twice

All of Betta Blinds and Awnings manufactured products are able to be fitted either inside or outside of the wall or posts giving you complete control over the positioning of your blinds.

Firstly, determine if your awning will be installed to either a wall or between posts.

Fitting to a wall - Face fit

Step 1. When fitting to a wall it is recommended that the awning extends 100 – 150 mm either side of the window frame (this helps to provide fabric coverage), refer to picture 1 diagram 1a



Step 2. Measure the space above your window to determine the drop of your awning. It is recommended that the awning be placed 200mm above the window opening (if the height is available) *refer to picture 1 diagram 2*. If the position is towards the edge of brick/block or on a mortar line, go up the centre of the next brick/block. This extra height will prevent visibility of a retracted awning when inside the house.

Fitting to a wall or window - Reveal fit

Step 1. If measuring in a recess, measure from the inside of one window opening to the other side. This is your width. It's important to measure top, bottom and centre of this opening, as not all windows are square. This will need to be done for the drop also. Make sure you measure accurately, as this is a tight measurement, *refer to picture 2*.



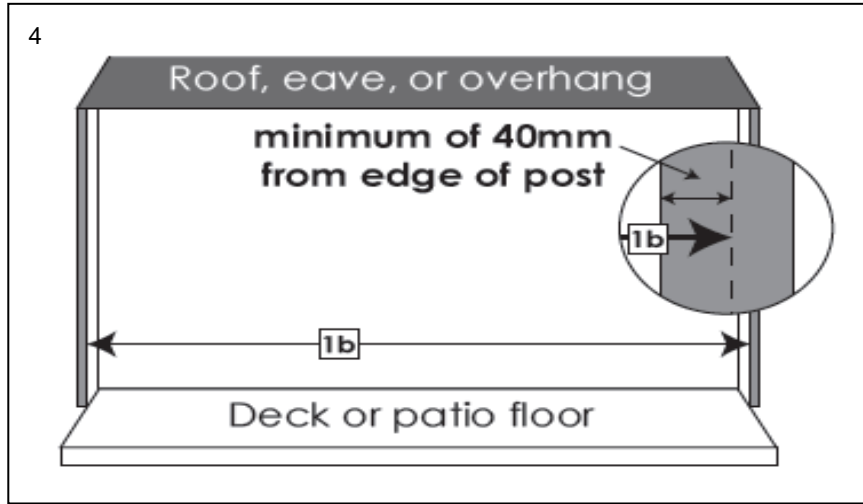
Fitting to posts Face Fit

This is when you want your outdoor blind to hang outside the window or post.

Step 1. Measure from the outside edge of post to outside edge of post (see below image). This is your width, *refer to picture 3*



Note: if two awnings are butting together on the same post, measure to the centre of the post. Post **must** be at least 80mm plus in width, refer to 1b in picture 4



Step 2. Measure from the top where the brackets / weather box will be installed to the floor, ground or handrail. This is your drop, refer to picture 5.



Reveal Fit

This is when you want your outdoor blind to fit inside the opening.

Step 1. If measuring between posts measure from the inside of one post to the inside of the other. This is your width, *refer to picture 6.*



Step 2 Measure from the top of your opening to either the floor/ground or handrail (depending on where you want your blind to drop to). This is your drop, *refer to picture 7.*



- For larger blinds refer to the Betta Blinds pricing guide sizes to ensure the blind can be manufactured successfully and are covered by any appropriate warranties.
- Awnings made outside of Betta Blinds recommendations are not covered under warranty.
- Please supply orders on the Betta Blinds order forms provided and the measurements as per the above guidelines as our manufacturing section will make any necessary deductions.

For any further enquires please contact our Sales Representative or Customer Support

Remember we require a width from outside to outside of brackets / weather box. Please provide measurements to nearest millimetre to ensure a perfect fit.